

TM - Midi Shoe

PRODUCT DESCRIPTION

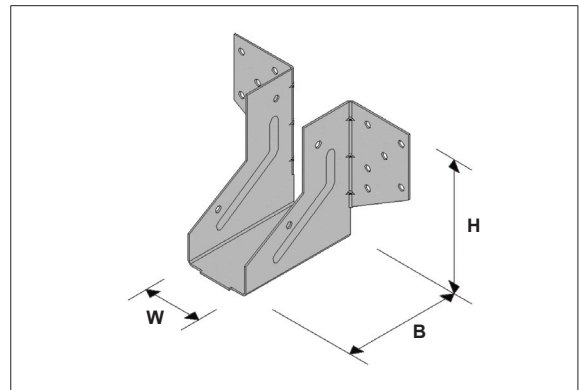
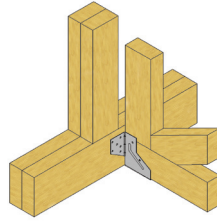
The TM is offered as an even more economical alternative to our standard truss shoe where lower loading situations arise.

ADVANTAGES

- Cost effective.

MATERIAL

- 1.0mm galvanised mild steel - Z275



NB. Minimum bottom chord depth is 97mm.

CE Marked - ETA - 09/0276



TM

TM Performance

Product Code	Dimensions			Fixings (3.75 x 30mm)		Safe Working Loads (kN)				Characteristic Capacity of Hanger (kN)	
	W	H	B	Header	Joist	Uplift Short Term	Solid Timber Header (Min TR26 / C27)			Uplift	Solid Timber Header (Min TR26 / C27)
							Long Term	Medium Term	Short Term		
TM-38	38	87	75	12	4	2.0	5.4	5.4	5.5	0.99	5.12
TM-44	44	84	75	12	4	2.0	5.4	5.4	5.5	0.99	5.12
TM-50	50	81	75	12	4	2.0	5.4	5.4	5.5	0.99	5.12

Introduction
Timber To Masonry Connections
Timber Frame
Engineered Wood Products (EWP)
Solid Timber/Roof Truss
Truss To Wallplate Connections
Multiple Connections
Restraint Straps
Ancillary Products
Custom Connector Design Template